



# Ophthalmic Chair UN-15

*Serving Your Vision*



# Ophthalmic Chair

## UN-15

Satisfaction guaranteed in everyday use for patient care.

### Outstanding Features

**A pneumatic-assisted manual recline mechanism uses patient's weight for easy reclining adjustments.**

**Recline capability includes a comfortable flat position, or any desirable position in between.**

**Single-handed headrest operation provides smooth patient headrest adjustment, and a unique lock indicator ensures that the headrest is locked firmly and securely in position.**

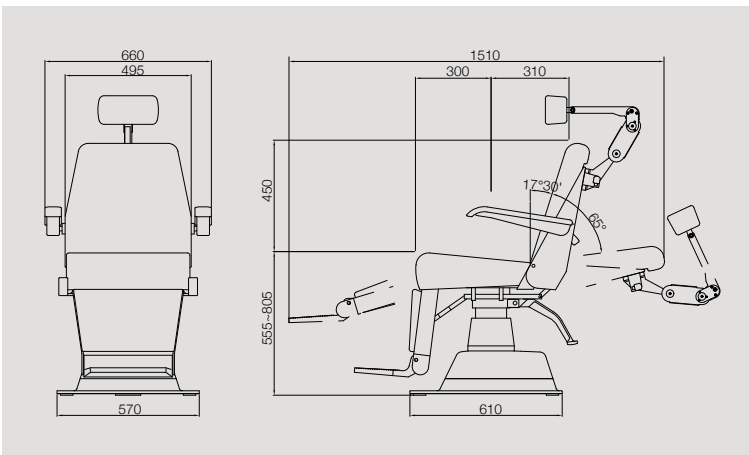
**TAKAGI standard fail-safe sealed hydraulic system ensures smooth, long-term operation.**

**Rear-positioned, foot-activated rotation lock is easily accessible from both sides.**

### Specifications

<b>Reclining angle</b>	107.5° to 167.5°
<b>Rotating angle</b>	250°
<b>Reclining</b>	By power hydraulic pump motor.
<b>Allowable load</b>	150kg
<b>Power supply</b>	AC110V, 115V, 230V 50/60Hz
<b>Power consumption</b>	690VA
<b>Weight</b>	110kg

### Dimensions



Single-handed headrest



Foot-activated rotation lock



Combined with Ophthalmic Stand SN-500

**Caution** To ensure safe and correct handling please read the user manual before using.

- Description and appearance as detailed in this brochure may be subject to change as improvements are made to products.
- Colours as they appear in brochure photographs may be slightly different to actual products due to lighting conditions when photographs were taken, or print colours.



**For The Americas, Asia-Pacific & Middle East**  
**TAKAGI SEIKO CO., LTD.**  
 330-2 Iwafune, Nakano-shi, Nagano-ken, 383-8585, Japan  
 TEL : +81(0)269-22-4511(Switchboard) URL : <https://www.takagi-j.com>



Your local distributor



**For Europe & Africa**  
**Takagi Ophthalmic Instruments Europe Ltd**  
 Citylabs 1.0, Nelson Street, Manchester, M13 9NQ, UK  
 TEL : +44 (0)161 273 6330 URL : <https://www.takagieurope.com>