



CR-750

CR-750S

Motorized Patient Chair

CR-750 CR-750S

Serving Your Vision



Colour variation

The Americas, Asia-Pacific & Middle East : Pink, Blue and Green



Pink

Blue

Green

Europe & Africa : Blue/ROHS2 compliant



Blue/ROHS2

*Pink and Green are not available in Europe & Africa

Large elevation stroke for all patient heights

Minimum chair height is now approximately 30mm lower than that of the previous model, accommodating all patient heights sufficiently with a large 150mm elevation stroke.

Up / down switch equipped as standard

New CR-750 / CR-750S chairs can be raised and lowered with the up / down switches located on the lower back of the chair, allowing medical assistants to quickly and conveniently adjust the chair height.



CR-750S: for integrated use, requiring no foot pedal

By connecting to the Ophthalmic Workstation, Smart Table, or Electric Instrument Table, the chair elevation can be controlled by the buttons on the instrument table. More comfortable legroom is achieved as there is no need to place a foot pedal on the floor.

*Please contact our sales department with the serial number of the product to be attached.

Slide mechanism (factory option)

By fitting a slide mechanism, the chair can slide forwards up to 60mm while the patient remains seated, allowing the patient to be situated closer to the instrument for examination if required, without moving the entire chair.

*Factory option only, not sold separately.

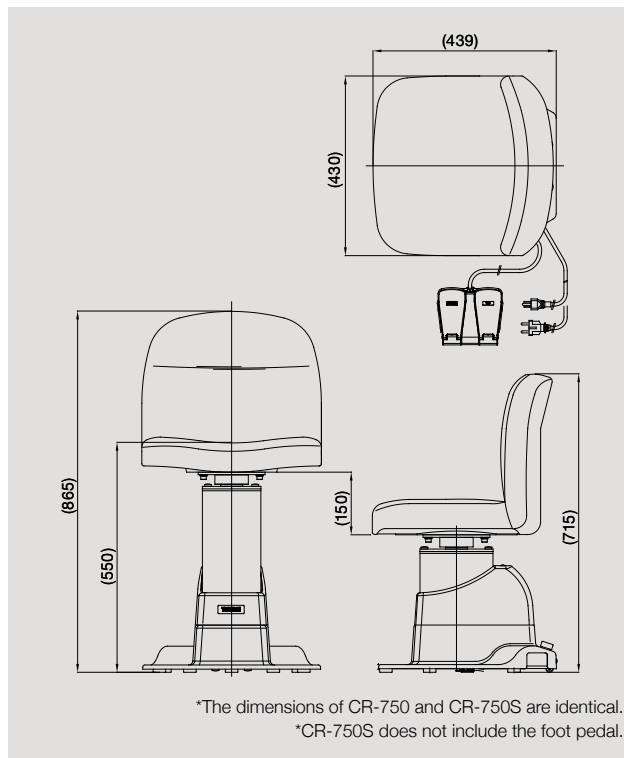
Round seat (user option)

Square seats are supplied as standard, a round seat can be supplied as an option. Seats are easily installed with screws at four locations.

Specifications

| | |
|--------------------------|-----------------------------------|
| Elevation stroke | 150mm |
| Load capacity | up to 150kg |
| Input power | AC100-230V 50/60Hz |
| Power consumption | 120VA |
| Weight | 26.5kg (CR-750) 25kg (CR-750S) |

Dimensions



Caution To ensure safe and correct handling please read the user manual before using.

- Description and appearance as detailed in this catalogue may be subject to change as improvements are made to products.
- Colours as they appear in catalogue photographs may be slightly different to actual products due to lighting conditions when photographs were taken, or print colours.



For The Americas, Asia-Pacific & Middle East
TAKAGI SEIKO CO., LTD.
 330-2 Iwafune, Nakano-shi, Nagano-ken, 383-8585, Japan
 TEL : +81(0)269-22-4511(Switchboard) URL : <https://www.takagi-j.com>



Your local distributor



For Europe & Africa
Takagi Ophthalmic Instruments Europe Ltd
 Citylabs 1.0, Nelson Street, Manchester, M13 9NQ, UK
 TEL : +44 (0)161 273 6330 URL : <https://www.takagieurope.com>